



Ordering number C10754_CUTE-3-SS

Family	Cute	FWHM	19 degrees
Type	Lens	Efficiency	91 %
LED	XM-L	cd/Im	5.280
Color	Transparent	Gerber File	Available
Diameter	35 mm		
Height	15 mm		
Style	Round	Pin height 3mm	
Optic Material	PMMA		
Holder Material	-		
Fastening	Pin, glue		
Status	Ready		



Ordering number C11333_CUTE-3-SS

Family	Cute	FWHM	19 degrees
Type	Lens	Efficiency	91 %
LED	XM-L	cd/Im	-
Color	Transparent	Gerber File	Available
Diameter	35 mm		
Height	15 mm		
Style	Round	Pin Height 1.5mm	
Optic Material	PMMA		
Holder Material	-		
Fastening	Pin, glue		
Status	Ready		



Ordering number C10755_CUTE-3-M

Family	Cute	FWHM	25 degrees
Type	Lens	Efficiency	90 %
LED	XM-L	cd/Im	3.510
Color	Transparent	Gerber File	Available
Diameter	35 mm		
Height	15 mm		
Style	Round	Pin height 3mm	
Optic Material	PMMA		
Holder Material	-		
Fastening	Pin, glue		
Status	Ready		



Ordering number C11334_CUTE-3-M

Family	Cute	FWHM	25 degrees
Type	Lens	Efficiency	90 %
LED	XM-L	cd/Im	-
Color	Transparent	Gerber File	Available
Diameter	35 mm		
Height	15 mm		
Style	Round	Pin Height 1.5mm	
Optic Material	PMMA		
Holder Material	-		
Fastening	Pin, glue		
Status	Ready		



Ordering number C10756_CUTE-3-W

Family	Cute	FWHM	42 degrees
Type	Lens	Efficiency	83 %
LED	XM-L	cd/lm	-
Color	Transparent	Gerber File	Available
Diameter	35 mm		
Height	15 mm	Pin Height	1.5mm
Style	Round		
Optic Material	PMMA		
Holder Material	-		
Fastening	Pin, glue		
Status	Ready		

NOTE: The typical divergence will be changed by different color, chip size and chip position tolerance. The typical total divergence is the full angle measured where the luminous intensity is half of the peak value.



PRODUCT DATASHEET Cute-3 series



GENERAL INFORMATION

- Product series especially designed & optimized for XM-L series of LEDs.
- Special care taken to make light distribution as uniform as possible.
- Lens material optical grade PMMA with high UV and temperature resistance (105 degrees of Celcius / 220 degrees of Fahrenheit). Allows use of high current and temperature conditions.

Please find more information about used material from below:

http://ledil.fi/sites/default/files/Documents/Technical/Material/PMMA%20N%20UL94_Yellow%20Card.pdf

<http://ledil.fi/sites/default/files/Documents/Technical/Material/PMMA%20N%20PLEXIGLAS-Datasheet.pdf>

- Fastening to PCB with appropriate adhesive. By clicking link below you can find Ledil recommended glue options.

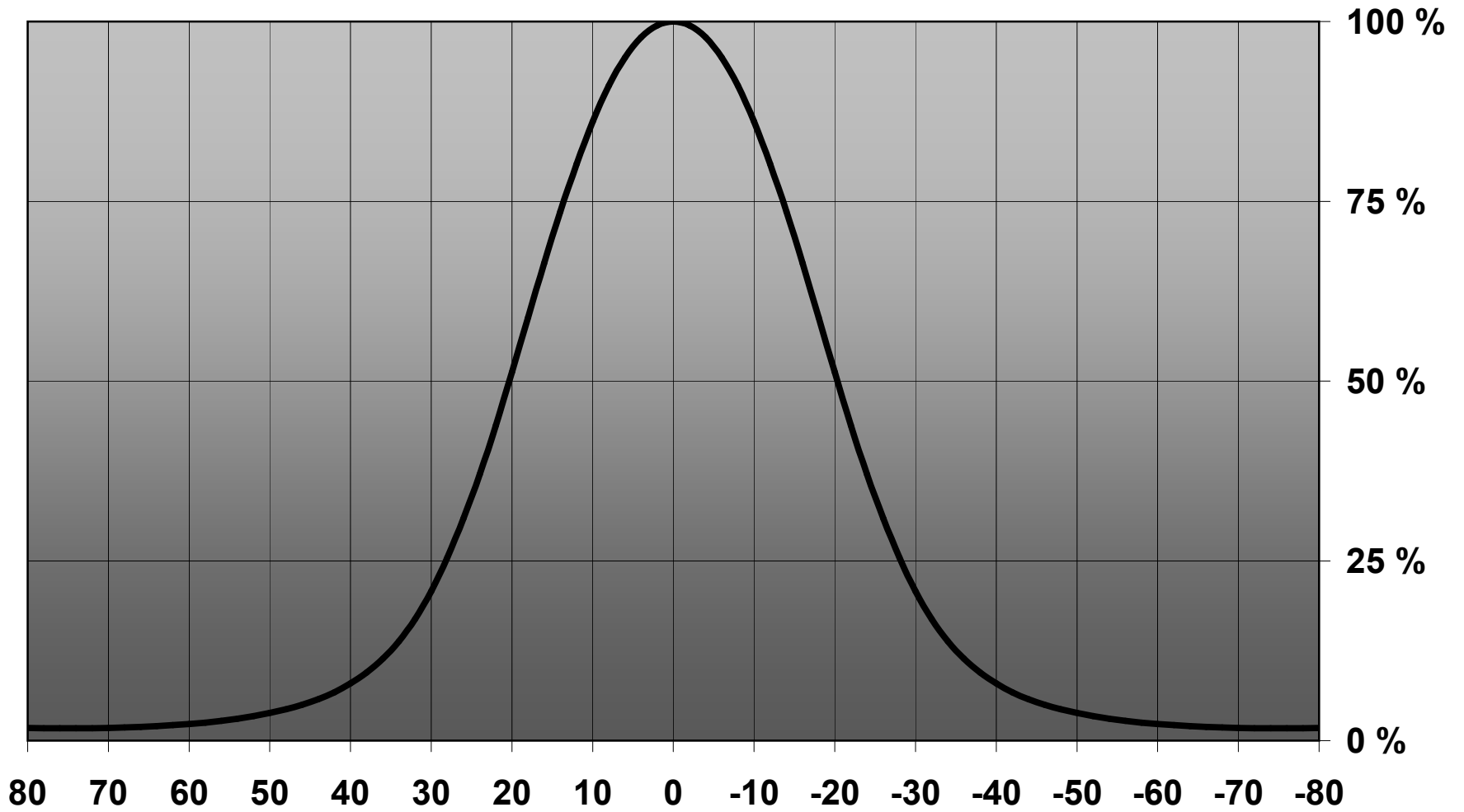
http://www.ledil.com/datasheets/DataSheet_GLUES.pdf

NOTE 1: We advise customer to ensure the suitability and sufficiency of the bond in the end product. For example, mechanical stress, vibration and holes on the surface of the circuit board weaken the strength of the glue.

NOTE 2: All surfaces where glue is applied must be clean, dry and free from grease and dirt. If cleaning of PCB surfaces is needed, please follow strictly the cleaning instructions of your LED manufacturer -this is important as cleaning shall under no circumstances damage LEDs or other electronics components on the PCB.

Further note that optical components shall not be cleaned with any chemicals - only micro fiber cloth may be used to remove fingerprints or other traces from handling.

Relative intensity of C10756_Cute-3-W-XM



D

C

B

A

4

3

2

1

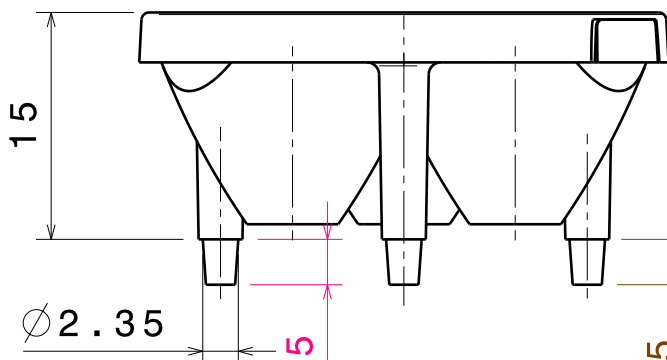
Ø28 3x120deg

Ø17 3x120deg

Ø35

Ø4.4

Bottom view



Side view

1.5
Wide lens

Material: PMMA

Part no.s;

Spot:

C10754_Cute-3-SS

C11333_Cute-3-SS, pin head length =1.5mm

Medium:

C10755_Cute-3-M

C11334_Cute-3-M, pin head length =1.5mm

Wide:

C10756_Cute-3-W

3 or 1.5

This drawing is our property. It can't be reproduced or communicated without our written agreement.



Ledil Oy
Tehdaskatu 13
FIN-24100 SALO
Finland

DRAWING TITLE

Datasheet Cute-3 Lens Series

DRAWN BY

pv

DATE

08.02.2010

CHECKED BY

TK

DATE

09.09.2008

SIZE

A4

DRAWING NUMBER

REV

1

DESIGNED BY

HH

DATE

09.09.2008

SCALE

2:1

WEIGHT (g)

SHEET

1/1

D

A

1