



Ordering number FA11937
Description FA11937_LXM-RS

Family Leila
 Type Lens
 LED XM-L
 Color Black
 Diameter 21.6 mm
 Height 14.8 mm
 Style Round
 Optic Material PMMA
 Holder Material PC
 Fastening Tape
 Status Ready

FWHM 14 degrees
 Efficiency 95 %
 cd/lm -
 Gerber File Available



Ordering number FA11938
Description FA11938_LXM-D

Family Leila
 Type Lens
 LED XM-L
 Color Black
 Diameter 21.6 mm
 Height 14.8 mm
 Style Round
 Optic Material PMMA
 Holder Material PC
 Fastening Tape
 Status Ready

FWHM 20 degrees
 Efficiency 91 %
 cd/lm -
 Gerber File Available



Ordering number FA11939
Description FA11939_LXM-M

Family Leila
 Type Lens
 LED XM-L
 Color Black
 Diameter 21.6 mm
 Height 14.8 mm
 Style Round
 Optic Material PMMA
 Holder Material PC
 Fastening Tape
 Status Ready

FWHM 30 degrees
 Efficiency 91 %
 cd/lm -
 Gerber File Available



Ordering number FA11941
Description FA11941_LXM-REC

Family Leila
 Type Lens
 LED XM-L
 Color Black
 Diameter 21.6 mm
 Height 14.8 mm
 Style Round
 Optic Material PMMA
 Holder Material PC
 Fastening Tape
 Status Ready

FWHM 37+28 degrees
 Efficiency 82 %
 cd/lm -
 Gerber File Available



PRODUCT DATASHEET LXM series



NOTE: The typical divergence will be changed by different color, chip size and chip position tolerance. The typical total divergence is the full angle measured where the luminous intensity is half of the peak value.



PRODUCT DATASHEET LXM series



GENERAL INFORMATION

- Product series especially designed & optimized for XM-L series of LEDs.
- Special care taken to make light distribution as uniform as possible.
- Lens material optical grade PMMA with high UV and temperature resistance (105 degrees of Celcius / 220 degrees of Fahrenheit). Allows use of high current and temperature conditions.

Please find more information about used material from below:

http://ledil.fi/sites/default/files/Documents/Technical/Material/PMMA%20N%20UL94_Yellow%20Card.pdf

<http://ledil.fi/sites/default/files/Documents/Technical/Material/PMMA%20N%20PLEXIGLAS-Datasheet.pdf>

- Optic holder molded by high quality PC material (120 dergees of Celcius / 248 degrees of Fahrenheit).

- Fastening to heat sink with a PU foam adhesive tape of automotive grade. Please find fastening details by clicking link: http://www.ledil.com/datasheets/DataSheet_TAPE.pdf

NOTE 1: We advise customer to ensure the suitability and sufficiency of the bond in the end product. For example, mechanical stress, vibration and holes on the surface of the circuit board weaken the strength of the tape.

NOTE 2: Assembly to the surface must be made straight, so the tape bonds constant and balanced with fastening surface. Slanted assembly might cause unbalanced bond to the surface. All surfaces where tape is applied must be clean, dry and free from grease and dirt.

If cleaning of PCB surfaces is needed, please follow strictly the cleaning instructions of your LED manufacturer - this is important as cleaning shall under no circumstances damage LEDs or other electronics components on the PCB.

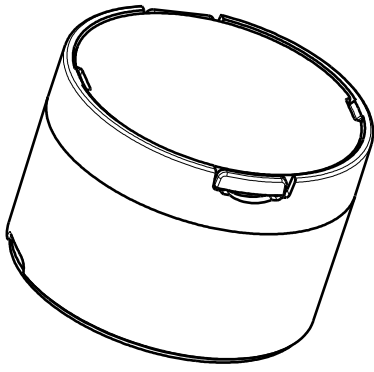
Further note that optical components shall not be cleaned with any chemicals - only micro fiber cloth may be used to remove fingerprints or other traces from handling.

D

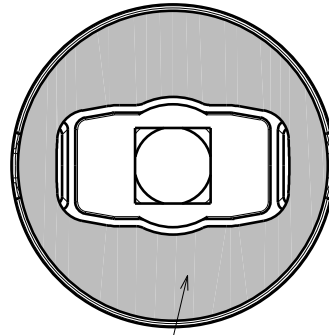
C

B

A

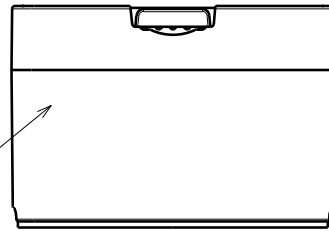


Isometric view



Bottom view

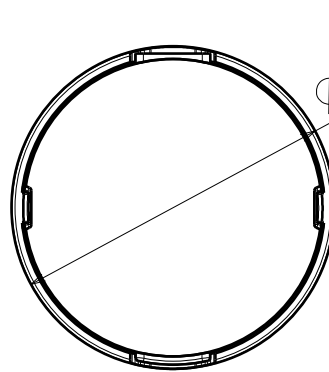
0.4mm tape



Front view

F11935_Leila Holder_LXM

14.8



Top view

21.56

Materials:
 Holder: PC white
 Lens: PMMA

Assemblies:
 FA11937_LXM_RS
 FA11938_LXM_D
 FA11939_LXM_M
 FA11941_LXM_REC

Holder:
 F11935_Leila Holder_LXM

This drawing is our property.
 It can't be reproduced
 or communicated without
 our written agreement.



Ledil Oy
 Tehdaskatu 13
 FIN-24100 SALO
 Finland

DRAWING TITLE

DATASHEET LXM

DRAWN BY

mav

DATE

07.02.2011

CHECKED BY

sn

DATE

07.02.2011

SIZE

A4

DRAWING NUMBER

FA11937

REV

1

DESIGNED BY

mav

DATE

30.12.2010

SCALE

2:1

WEIGHT (g)

SHEET

1/1

D

A

4

4

3

3

2

2

1

1